

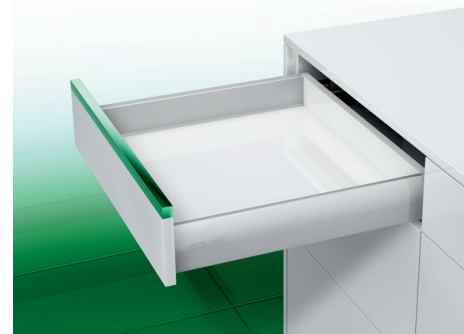
Standard to Heavy Duty
88 lb, and 154 lb Dynamic Load Capacity
Maximum Drawer Width: 48"



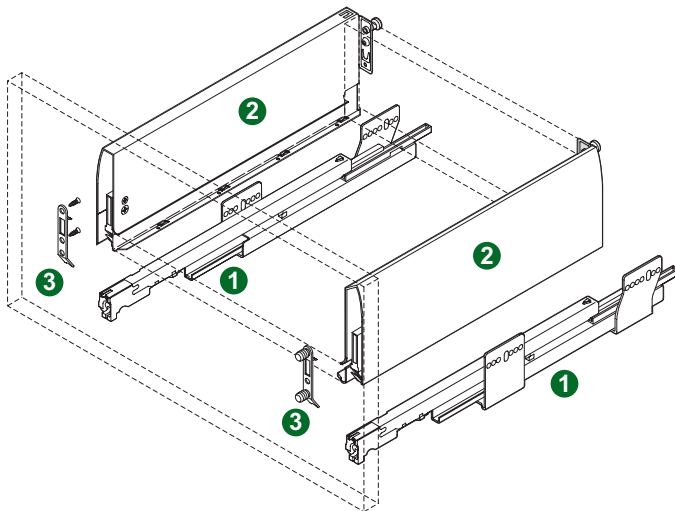
NOVA PRO drawer system offers outstanding quality, maximum design freedom and innovative functional solutions for modern cabinet construction. Engineered to the highest standards.

APPLICATIONS

Institutional
 Residential
 Commercial



COMPONENTS



- 1** Cabinet member
- 2** Drawer member
- 3** Front fixing bracket

AVAILABLE OPTIONS

Interior Drawers
 Railing System
 Handle-free Opening Systems
 Accessories and Assembly Aids

SPECIFICATIONS

Product: Double Wall Steel Drawer System
 Mounting: Undermount
 Material: Steel with Corrosion Resistant Finish
 Hole Pattern: 32mm
 Type: Steel Drawer System
 Travel: Synchronized Full Extension
 Length: 270mm (11"), 350mm (14"), 400mm (16"), 450mm (18"), 500mm (20"), 550mm (22")
 Side Width: 13mm (1/2")
 Height(s): 90mm (3 1/2"), 122mm (4 3/4")
 Action: Soft-close
 Slide Configuration: Handed
 Finish: Champagne, Metallic
 Packaging: All sizes 10 sets per corrugated carton

RATING

Dynamic Load: 88 lb, 154 lb
 Max. Drawer Width: 48"

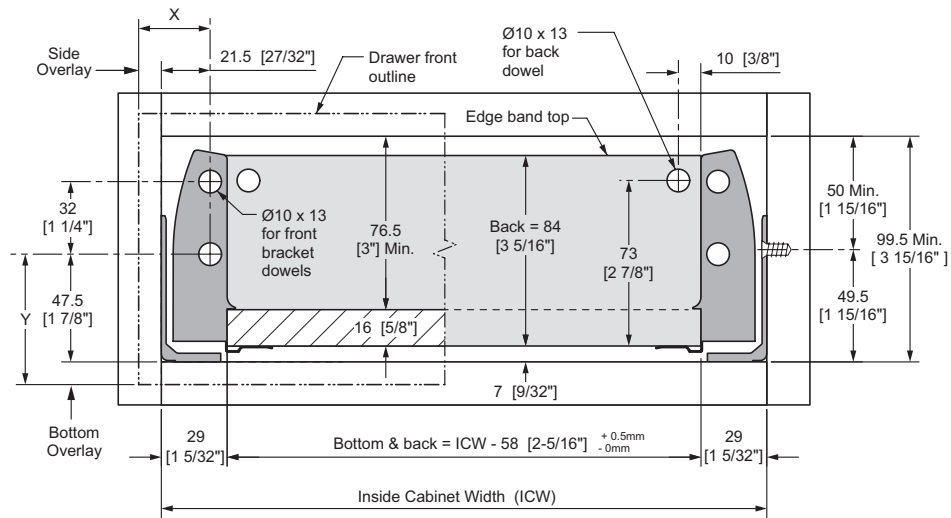
NOVA PRO meets and exceeds ANSI/BHMA A156.9 Grade 1 testing requirements

WARRANTY

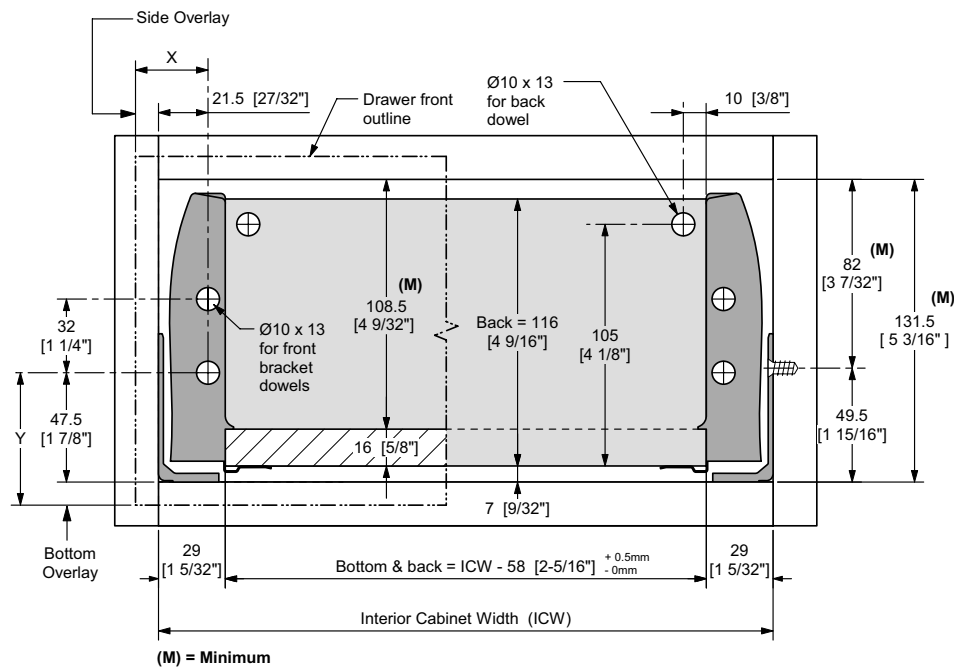
Limited Lifetime Warranty



Drawer Installation Dimensions - 90mm (3 1/2")



Drawer Installation Dimensions - 122mm (4 3/4")



This and other Grass literature is available to download at www.grassusa.com
 Grass America Inc. reserves the right to change product specification at any time without notice and without incurring responsibility for existing units.

© 2018 Grass America Inc.